

SAC4500S

SANY All Terrain Crane
450 Ton Lifting Capacity



Max. Lifting Capacity: 450 t
Max. Boom Length: 84 m
Max. Lifting Height: 138 m

Strong lifting performance

- The full-extend boom length is 84m, the fixed jib length is 42m, and the tower jib length is 78m;
- The maximum lifting moment of the base boom is 14,570kN·m, and the maximum hoisting height is 138 m;
- Equipped with Y-type super-lift device, the lifting performance of the long boom section is more than doubled;
- New counterweight translation technology is adopted to greatly improve the overall stability;
- Special jib for wind power is provided to fully cover overhaul of 1.5MW fan and components of 2.0MW fan.

Excellent traveling performance

- Innovative six-axle chassis, all-wheel steering, four-axle driving, multiple steering and driving modes, with super traveling adaptability;
- New intelligent multi-mode oil and gas suspension system, with real-time monitoring of vehicle body posture, active hoisting and variable damping self-adaptation and other functions, makes traveling more comfortable and stable;
- Strong power and transmission system, equipped with hydraulic torque change and slow braking, greatly improve traveling safety and smoothness.

Reliable efficiency

- Multi-pump, multi-circuit hydraulic system, electric proportion and multi-stage pressure control, realize speed step and micro-motion optimization, with better performance;
- New fixed-length tensioning control technology, one-key automatic tensioning and retraction/extension super-lift, improves the operation efficiency by 20%, and improves the lifting performance of the middle and long arm sections by 5% ~ 10%.



Reliable safety

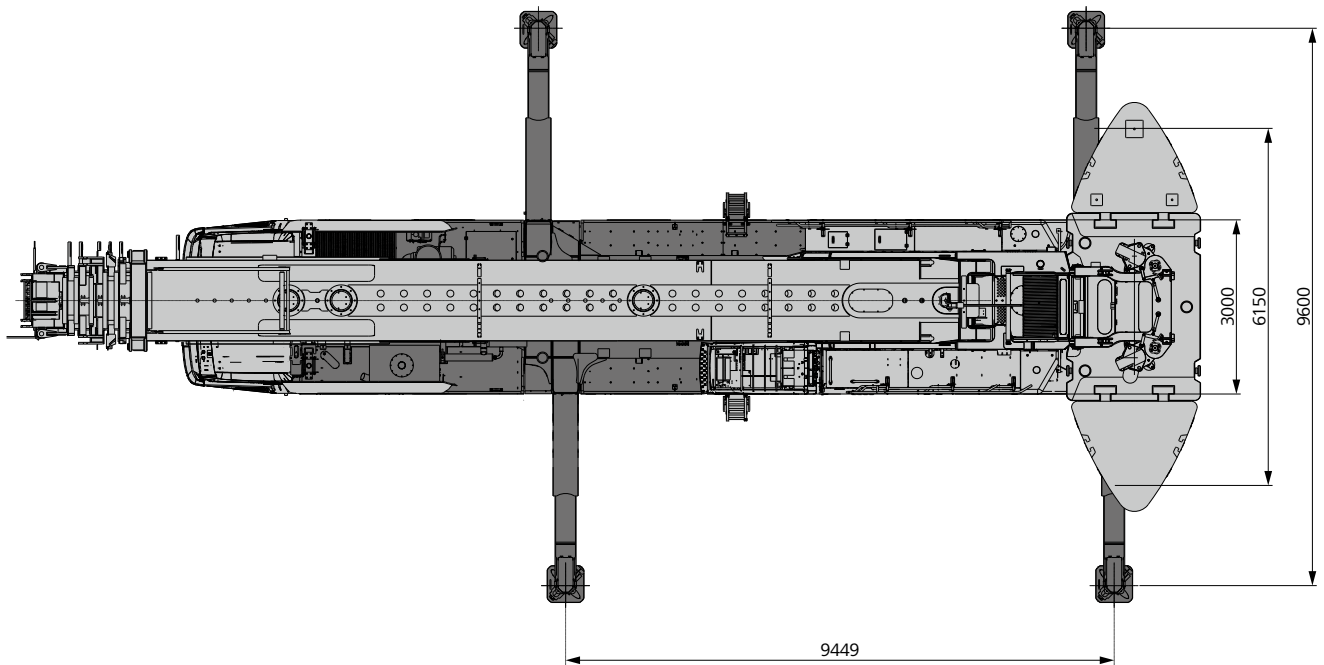
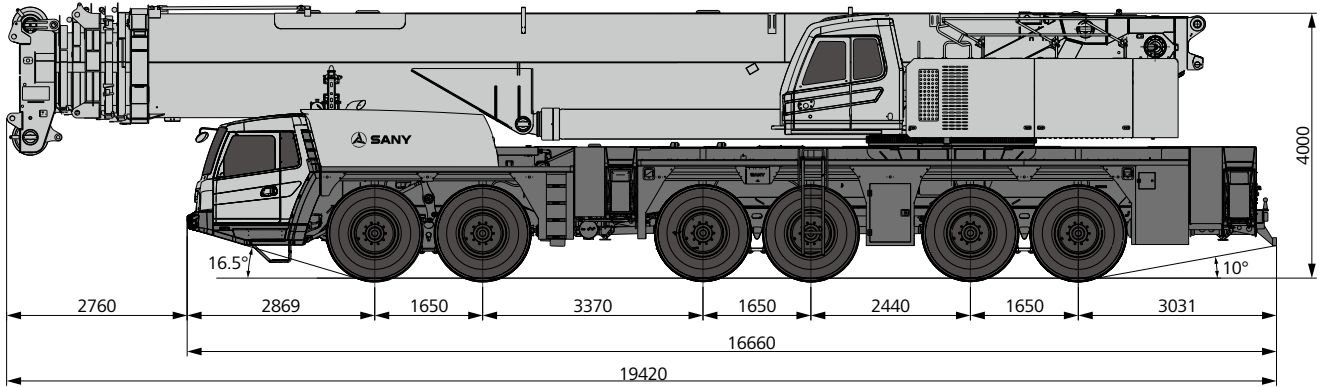
- Multi-functional wireless remote-control system makes crane operation more convenient. The safety protection program and the fault judgment system ensure safe and reliable operation;
- Equipped with an anti-rollover early warning system, which can give early warning through sound and light prompts to ensure the safety of vehicle operation;
- High precision, high stability and high intelligence torque limiter system are adopted to protect lifting operation in all directions;
- Equipped with rich sensing devices, timely feedback of data and information, real-time monitoring, at any time to master the working state of the vehicle.

GCP system

- It's the first equipment remote monitoring and management system in China, provided with powerful functions of collecting equipment operating conditions and operating parameters, which can implement remote fault diagnosis and management;
- Customers can master the operation of the equipment, inquire and order accessories staying indoors.



Overall Dimensions



Technical Parameters

Type	Item	Parameter	
Capacity	Max. lifting capacity	450 t	
Dimension	Overall length	19,420mm	
	Overall width	3,000mm	
	Overall height	4,000mm	
	Axle base	Axle-1, 2	1,650mm
		Axle-2, 3	3,370mm
		Axle-3, 4	1,650mm
Axle-4, 5		2,440mm	
Axle-5, 6		1,650mm	
Weight	Overall weight	Note: Remove 3-7 boom sections and outriggers when traveling 78,000 kg	
Engine parameter	Rated power (carrier)	480 kW/1,800rpm	
	Rated power (carrier)	2,900 N.m/1,300 rpm	
	Rated power (superstructure)	205 kW/2,200rpm	
	Rated torque (superstructure)	1,100 N.m/ 1,400 rpm	
Traveling parameter	Max. traveling speed	70km/h	
	Slewing radius	12.5m	
	Wheel mode	12× 8	
	Min. ground clearance	300 mm	
	Approach angle	16°	
	Departure angle	10°	
	Max. gradeability	45%	
Main performance data	Temperature range	-20°C ~ +40°C	
	Min. rated working radius	3 m	
	Total counterweights	142t	
	Boom section	7	
	Boom shape	U-shaped boom	
	Boom length	Base boom	16.1 m
		Full-extend boom	84 m
		Longest boom+longest fixed jib	116 m
	Outrigger span (Longitudinal× Transversal)	9.4 × 9.6 m	
Jib offset	0°, 20°, 40°		
Working speed	Max. single-rope hoisting speed for main winch (empty load)	130 m/min	
	Full extension/retraction time of boom	800/800 s	
	Full lifting/descending time of boom	95/95 s	
	Slewing speed	1.3 r/min	
Air conditioner	Air conditioning in operator's cab	Heating and cooling	
	Air conditioning in driver's cab	Heating and cooling	

Technical Specifications

**Axle load**

Axle	1	2	3	4	5	6	Total
Axle load / t	12	12	12	12	12	12	72
Note	Boom section 4 to 7, flexible outrigger, counterweight, and main winch not included.						

**Hook and multiplying power**

Rated load/t	Pulleys	Number of parts of line	Hook weight/kg	Note
200	9	19	3242	Optional counterweight
160	7	15	2886	Optional counterweight
80	3	7	1982	Optional counterweight
12.5	0	1	676	Auxiliary hook

Crane Introduction

No	Name	Manufacture
1	Chassis Engine	Benz
2	Superstructure engine	Benz
3	Axle	KESSLER
4	Transmission	ZF
5	Transfer case	KESSLER
6	Main lifting piston pump	Danfoss
7	Luffing piston pump	Rexroth
8	Telescoping piston pump	Rexroth
9	Telesoping balance valve	WESSEL

Crane Introduction

Control room

- A fully welded structure formed by stamping is adopted, safety glass is installed, the window is provided with sunshade curtain, outer turning doors are adopted, and the control lever is installed on the control box, thus conforming to the principle of human-computer engineering; anti-corrosion glass fiber reinforced plastic reinforced composite structure, fully covered softening interior decoration, panoramic skylight, reclining and positioning of operator's seat back and other humanized designs, ensuring comfortable and easy operation; touch display screen with adjustable viewing angle, multi-picture and multi-angle monitoring to ensure safe operation and meet one-touch operation; monitors are provided for the boom and tower jib and super hoist winching, with centralized monitoring in key areas; the main console is organically combined with the operation display system, so that fast man-machine interaction can be achieved; the control room can be tilted upward by 20° to meet the needs of high-altitude operation observation; equipped with heating & cooling air conditioner.

Engine

- Type: Mercedes OM906LA.E3A/1, electrical control, in-line six-cylinder, water cooling, supercharged inter-cooling, diesel engine ;
- Power: 205kw/2,200r/min;
- Maximum torque: 1,200Nm/1,200-1,600rpm ;
- Environmental protection: the emission meets the Euro III standard;
- Fuel tank capacity: about 300L.

Boom system

- Main boom: It is composed of 1 section of base boom and 7 sections of extension/retraction booms, which is made by bending and welding fine grain high-strength steel plate. It adopts an elliptical cross section and has good buckling resistance; a single-cylinder automatic bolt system is adopted, and the extension and retraction of all booms can be controlled by a double-acting oil cylinder to achieve various boom length combinations; the base boom length is 16.1m and the full-extend boom length is 84 m;
- Jib: It consists of fixed jib and tower jib: fixed jib and tower jib share a joint, jib head, and standard joints with 6m or 12m section, which can realize jib length combination of 6m to 42m, and can change the angle degree according to the actual needs of working conditions, thus improving the automation level, reducing the labor intensity and improving the working efficiency; while the tower jib can realize the jib length combination of 12m to 78m, greatly improving the lifting capacity and the operating height;
- Super-lift device: It is arranged on the left and right sides of the head of the base boom and is independent of the left and right, thus realizing self-assembly and disassembly without auxiliary hoisting; the super-lift device greatly improves the stress state of the lifting boom, avoids side bending, reduces the down-warping deformation of the lifting boom, reduces the deflection of the lifting boom by 20%-30% in the long boom state, and improves the lifting performance by more than 200%.

Slewing System

- It is composed of constant-displacement motor and slewing speed reducer, which are mature in technology and widely used in truck cranes, and it adopts external engagement with the slewing bearing to realize 360° full slewing and stepless speed regulation at the same time; the slewing hydraulic system adopts close system, which can avoid throttling loss of open system and make the system have higher efficiency; electric proportional brake pedal can realize emergency braking.

Turntable

- It is independently designed by Sany, with more optimized structure. It is made of fine grain high-strength steel.

Hydraulic system

- The opening & closing combined independent hydraulic system of up cab has the characteristics of load sensitivity, heavy load at low speed, light load at high speed, and high operation efficiency. The luffing extension/retraction system adopts an open system consisting of electric proportional pump and self-made main valve, and has a four-stage pressure selection function, so that different actions adopt different pressure levels and cooperate with the displacement of the electric proportional pump, thus realizing energy-saving and safe luffing and extension/retraction actions; the hoist winching system adopts close system to avoid throttling loss of the open system, so that the system has higher efficiency and wide speed regulation range; the slewing adopts close system, which can avoid throttling loss of the open system, so that the system has higher efficiency and good micro-motion. In addition to the functions of up cab slewing, boom luffing, extension/retraction, boom and jib winching hoist, it can also realize the functions of lifting/descending the counterweight, rotating the control room and locking the turntable;
- Main oil pump, slewing pump, winch motor, balancing valve etc. adopt high-quality components with high reliability; the electric proportional variable plunger pump adjusts the displacement of the oil pump in real time to realize high-precision flow control and minimize energy waste; the independently developed double pump/split main valve has high single-acting double-pump merging efficiency and good combined-acting double-pump split handling;
- The dead weight drop-amplitude compensation hydraulic system is adopted, with good drop-amplitude micro-motion and stability;
- The extension/retraction of the boom adopts a single-cylinder bolt-type rapid extension/retraction system.

Crane Introduction



Hoisting system

- Main hoisting mechanism: Planetary gear reducer driven by hydraulic motor and special rope groove winching drum with built-in brake;
- Wire rope lock: high-quality wire rope lock is adopted, and the end of the wire rope is cast and directly installed in the lock sleeve, which improves the replacement speed of the hoisting ratio and is convenient and quick;
- Wire rope specification: $\phi 24-2,160$, anti-rotating wire rope;
- Maximum single-rope speed: about 130m/min.



Dual luffing system

- Hydraulic system adopts double-pump merging open hydraulic circuit, and adopts the combination of electric proportional control, power drop-amplitude and dead weight drop-amplitude to realize large-angle fast drop-amplitude and small-angle stable slow drop-amplitude.



Control System

- The system is powered by 24V DC power supply, adopts PLC integrated programmable controller, CAN-BUS control network, and combines with conventional electricity to complete the logic control and electric proportion control functions of the system;
- It has the functions of real-time system monitoring and automatic fault diagnosis;
- Hoisting, slewing and luffing are controlled by two multi-directional electric proportional handles which can automatically reset; extension/retraction is controlled by foot-operated extension/retraction pedals; the lifting/descending of the counterweight, the displacement of the control room and the locking of the turntable are all controlled by keys on the control panel;
- The display is connected to the controller by CAN bus. Its main functions include digital adjustment and display of electric proportional control parameters, display of fault codes of electric proportional system and display of real-time detection data of hydraulic system.



Safety device

- By using analytical mechanics method, a moment limiter calculation system based on the mechanical model of lifting weight is established. Through on-line no-load calibration, the accuracy of lifting weight reaches $\pm 3\%$;
- The hydraulic system is equipped with hydraulic balancing valve, overflow valve, two-way hydraulic lock and other components to realize stable and reliable hydraulic system;
- The boom and tower jib winches are equipped with three rounds of protectors to prevent the wire rope from being over-laid;
- The ends of the boom and the jib are provided with height limiters to prevent the steel wire rope from over-winding;
- An anemometer is installed at the boom end to detect whether the high-altitude wind speed exceeds the allowable range for operation;
- Super-lift rope tension protection procedure, tower jib installation, hoisting protection procedure, etc.



Counterweight

- Combined variable balance weight. 0t, 14.5t, 29t, 43.5t, 58t, 82t, 102t, 122t and 142t are nine combination modes, which can meet the requirements of different working conditions, maximize the performance of structural members. It can be disassembled and installed remotely, and has good micro-motion.

Crane Introduction

Cab

- The cab is a new type of steel structure independently developed by SANY. It has excellent shock absorption and sealing performance. Both sides are equipped with outer turning doors. It is equipped with a driver's seat and a front occupant's seat of pneumatic suspension, adjustable steering wheel, rear-view mirror with large view, comfortable driver seat with headrest, anti-fog fan, heating and cooling air conditioner, stereo radio and other assemblies. The control instruments and meters are complete and more comfortable, safe and humanized.

Frame

- It is self-developed and professionally manufactured by SANY, with optimized structure, light weight, anti-torsion box structure, and fine grain high-strength steel plate welded. The outriggers are contracted in a special fixing box, and the outrigger box is positioned between axle 1 and axle 2 and at the tail part of the frame; and equipped with front and rear traction hooks.

Chassis engine

- Type: electric control, V-shaped eight-cylinder, water cooling, supercharged inter-cooling, EFI, diesel engine;
- Rated power: 480kW/1,800rpm;
- Maximum torque: 3,000Nm/ 1,300rpm;
- Environmental protection: the emission meets the Euro V standard;
- Fuel tank capacity: about 550L.

Transmission

- Manual/automatic transmission, 12th gear, wide speed ratio range, which can meet the requirements of low-speed ground climbing and high-speed traveling.

Axle

- It is imported from Germany Kessler, with disc brake, full-axle steering, with axles I, III, V and VI for driving, of which axle VI is equipped with disengaging device. Three-axle driving is used for normal road traveling and four-axle driving is used for complicated road traveling. Axles I and II adopt a hydraulic power steering system fed back by a rod system, and axles III -VI adopt electro-hydraulic control steering, which can carry out speed control assistance and selectable special steering modes, and has light steering and flexible control.

Tires

- 112 Bridgestone tyres - 16.00R25 (445/95 R25).

Suspension

- The axle suspensions are all hydro-pneumatic devices with adjustable height and hydraulic locking, which can realize five modes of suspension, rigid locking, automatic leveling, vehicle lifting/descending and single-point lifting/descending. It has good passing performance, which can be suitable for various severe working conditions and road surfaces, ensuring the smoothness and lateral stability of the vehicle, and is comfortable for driving.

Brake system

- Double circuit, air brake, equipped with disc brake;
- Service brake: all wheels are equipped with air servo brakes, double-circuit braking system, and all wheels are equipped with disc brakes;
- Parking brake: driven by accumulator, acting on axles II - VI;
- Auxiliary brake: the engine is equipped with engine brake, exhaust brake and transmission hydraulic retarder brake.

Steering System

- Servo power steering gear, double-circuit system hydraulic steering device, with emergency steering pump. The steering strategy is adjusted according to the speed, starting from 30km/h, axles III and IV do not turn, and starting from 60km/h, axles V and VI do not turn;
- It can be divided into six steering modes: 1) road traveling mode (default mode); 2) full steering mode; 3) crab-shaped mode; 4) unbiased steering mode; 5) independent rear-axle steering mode; 6) rear-axle locking steering mode.

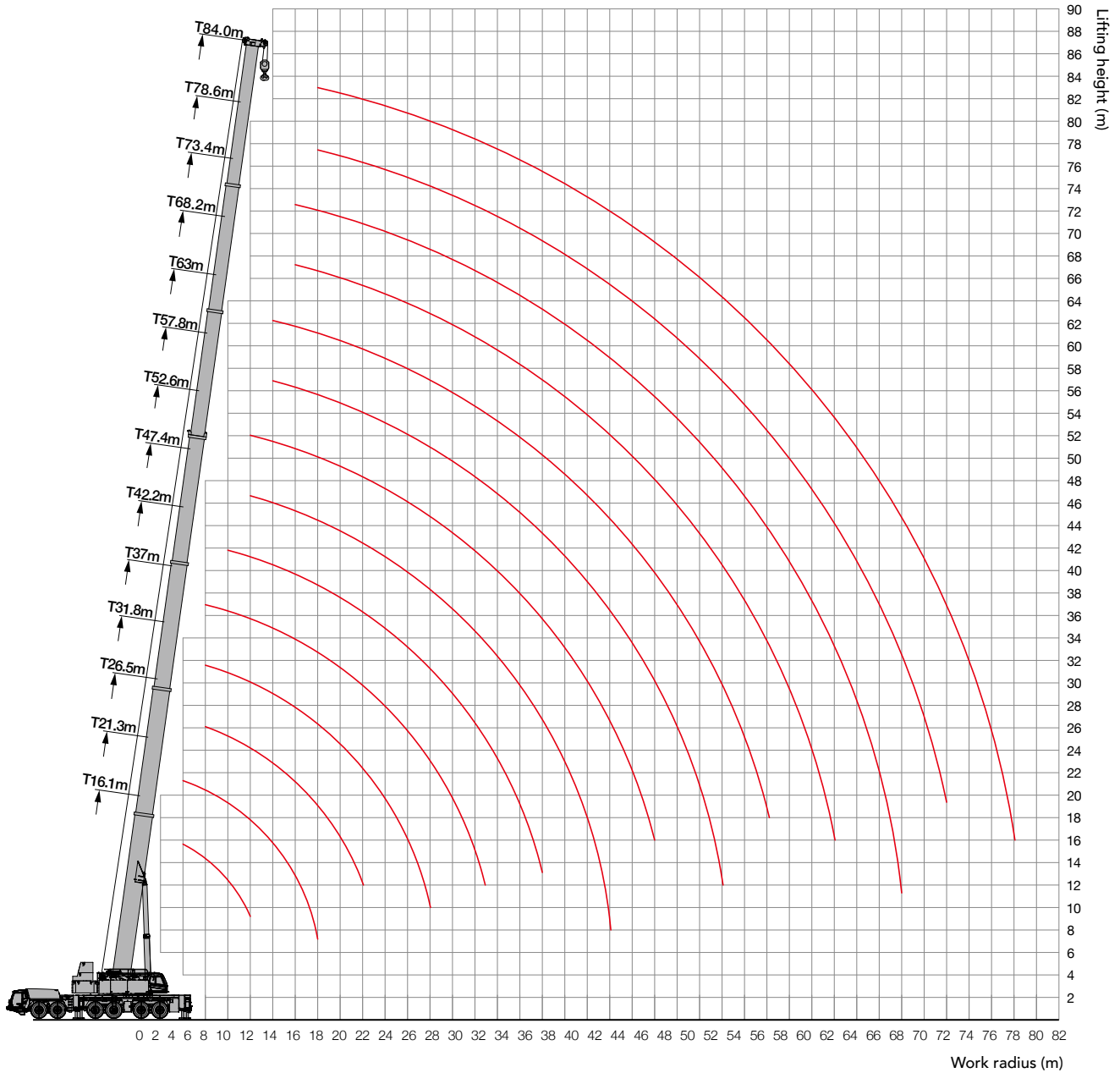
Outrigger

- The movable outriggers adopt double H-type and two-stage telescopic outriggers. The hydraulic system for extension/retraction of the outriggers adopts electric proportional control technology and is equipped with wireless remote control. The outrigger control panel can display the load borne by the outriggers and has the function of automatic leveling. It has high control precision and simple and convenient operation.

Electrical System

- Using 24V DC power supply, the power can be cut off for the low cab; equipped with car lighting system; the movement of the vehicle, such as the control of the throttle and the outrigger, is realized by electrical control, which makes the movement light and fast; the electrical system has strong detection, logic, calculation and other capabilities, and has the functions of fault self-diagnosis, centralized display and self-protection;
- The chassis adopts CAN bus system, which has the advantages of fast, stable and accurate data; multi-functional centralized display system; high protection grade, IP65; small power consumption with the maximum of 5W; four function keys are provided in the user interface; LCD liquid crystal is used for display with adjustable contrast.

Operating Range - Telescopic Boom



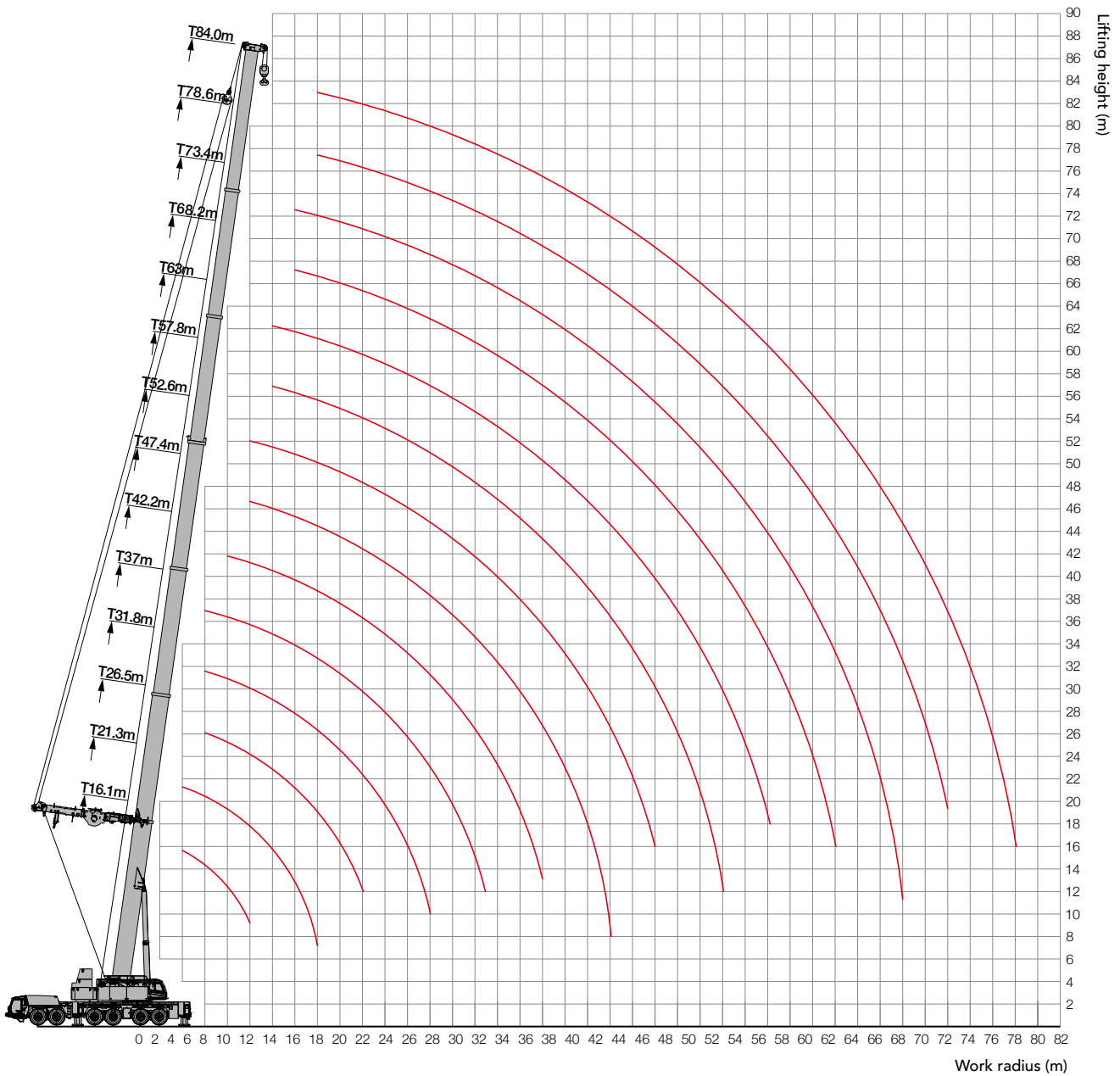
Load Chart – Telescopic Boom

Unit: metric ton



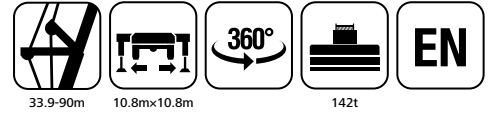
R/L	16.1	21.3	26.5	31.8	37	42.2	47.4	52.6	57.8	63	68.2	73.4	78.6	84	R/L
3															3
3.5															3.5
4	201.5	196.2													4
4.5	201.5	196.2	191.0												4.5
5	201.5	191.1	190.5	180.9											5
6	195.0	191.0	185.1	174.6	162.7										6
7	175.0	173.0	173.0	164.2	155.0	123.0									7
8	157.6	156.0	154.0	149.9	147.4	116.3	103.3								8
9	136.9	135.0	134.0	135.6	135.0	109.6	98.1	67.0							9
10	125.0	122.0	122.0	124.6	122.0	104.2	92.9	64.3	57.0						10
12	105.1	104.0	106.3	105.5	108.5	94.3	83.6	59.2	52.4	43.8	38.6				12
14		90.0	90.4	91.7	94.6	85.7	74.7	55.1	48.6	41.0	36.2	31.2			14
16		78.0	79.8	79.8	82.4	78.8	67.2	51.1	45.3	38.4	33.7	29.6	25.2	20.0	16
18		70.5	71.6	69.5	72.3	71.7	61.2	47.8	42.0	36.0	31.4	28.0	24.2	19.2	18
20			64.8	60.4	63.8	64.1	55.3	44.9	39.2	33.6	29.3	26.4	23.2	18.4	20
22			57.6	53.0	56.5	57.5	50.7	42.2	36.8	31.5	27.2	24.8	22.1	17.5	22
24				47.0	52.4	51.8	46.8	39.7	34.4	29.7	25.2	23.3	20.9	16.7	24
26				42.9	47.5	46.7	42.9	37.7	32.1	28.0	23.6	21.8	19.7	15.9	26
28				39.9	43.1	42.3	39.1	35.7	30.4	26.2	21.9	20.6	18.6	15.1	28
30					39.4	38.5	36.4	33.7	28.8	24.8	20.3	19.6	17.5	14.3	30
32					36.1	35.2	33.8	31.8	27.1	23.6	18.9	18.6	16.5	13.5	32
34						32.3	31.1	30.1	25.5	22.3	17.7	17.6	15.5	12.8	34
36						29.7	28.5	28.4	24.0	21.1	16.7	16.8	14.6	12.1	36
38						27.5	26.2	26.7	22.8	19.9	15.8	16.1	13.6	11.5	38
40							24.8	25.1	21.6	18.8	14.9	15.3	12.9	10.8	40
42							23.7	23.6	20.6	18.0	14.2	14.7	12.2	10.2	42
44								22.0	19.2	17.0	13.2	14.0	11.4	9.6	44
46								19.6	17.8	15.8	12.3	13.0	10.6	9.0	46
48									17.0	15.1	11.7	12.5	9.8	8.5	48
50									16.2	14.4	11.2	11.9	9.2	8.0	50
52									15.4	13.8	10.7	11.4	8.6	7.5	52
54										13.2	10.1	10.9	8.0	7.0	54
56										12.2	9.2	10.0	7.8	6.5	56
58										11.7	8.4	9.6	7.0	6.1	58
60											7.6	9.2	6.3	5.7	60
62											6.9	8.9	5.9	5.3	62
64											5.4	8.4	5.5	4.9	64
66												7.9	5.0	4.5	66
68												7.6	4.6	4.0	68
70													4.2	3.9	70
72													3.8	3.6	72
74													3.5	3.3	74
76														3.0	76
78														2.7	78
80															80
82															82

Operating Range - Telescopic Boom with Superlift



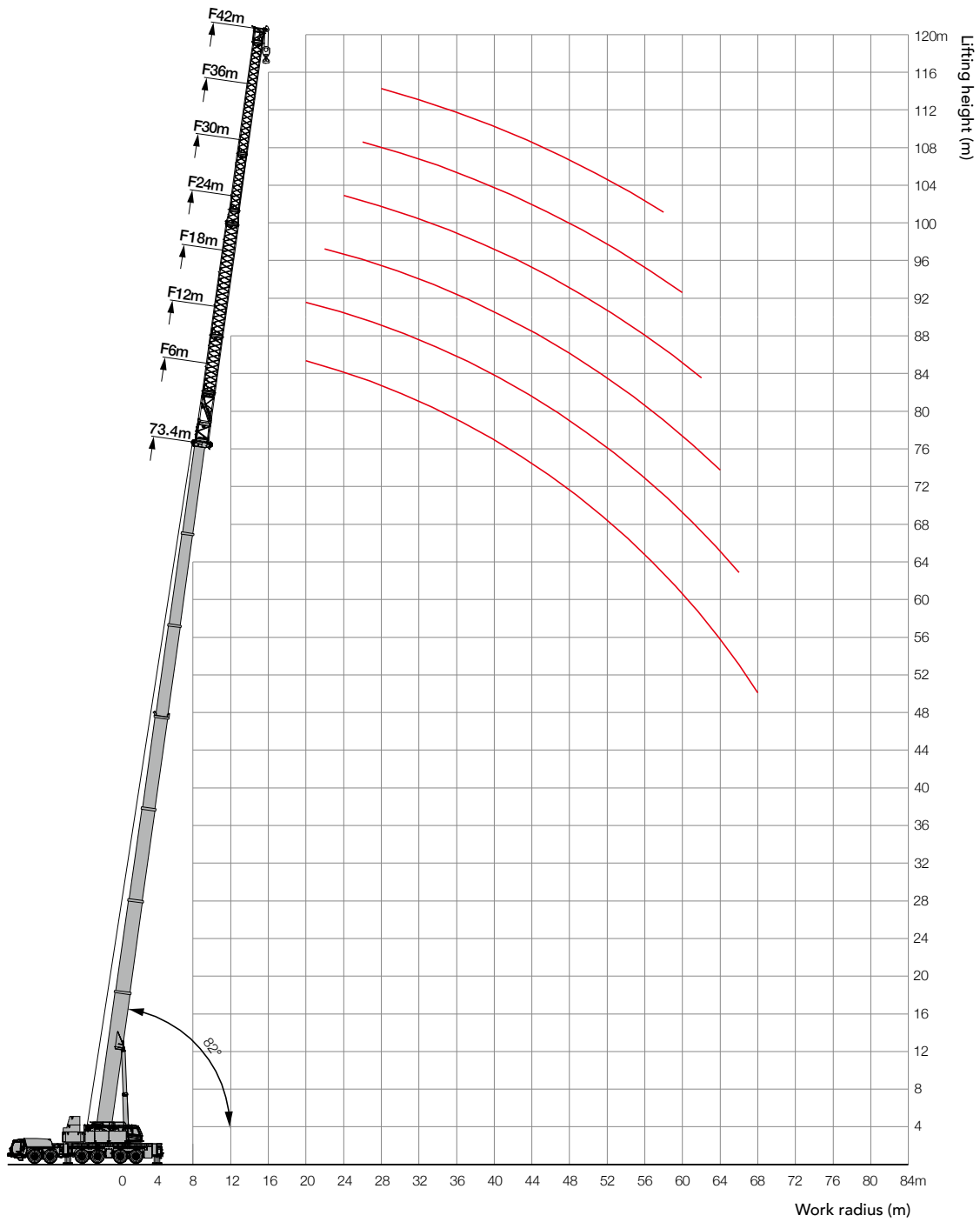
Load Chart – Telescopic Boom with Superlift

Unit: metric ton



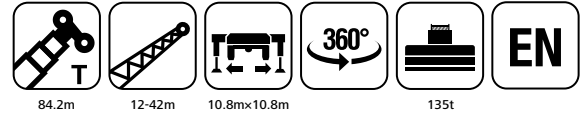
R/L	37	42.2	47.4	52.6	57.8	63	68.2	73.4	78.6	84	R/L
4.5											4.5
5	170.0										5
6	160.0	129.0									6
7	152.0	127.0	140.0								7
8	144.0	125.0	131.0	107.0							8
9	136.0	121.0	123.0	101.0							9
10	119.5	117.0	115.0	98.0	93.5						10
12	102.1	101.8	100.6	91.0	85.0	78.0					12
14	88.6	90.4	88.8	85.5	78.5	72.9	65.0	55.8			14
16	76.7	78.6	77.0	77.2	72.0	69.3	59.4	53.1	46.8	42.0	16
18	67.3	69.1	67.5	67.7	67.0	66.6	56.7	51.3	44.5	39.5	18
20	59.6	61.3	59.7	59.9	59.6	60.3	53.1	48.6	42.6	36.5	20
22	53.0	54.8	53.1	53.3	54.9	54.0	49.5	46.8	41.0	34.6	22
24	47.5	49.3	47.6	47.7	51.3	49.5	46.8	44.1	39.6	33.0	24
26	42.8	44.5	42.9	43.1	47.4	45.8	44.6	41.0	37.8	31.5	26
28	38.8	40.4	38.8	38.8	43.1	41.7	41.9	37.8	36.0	30.2	28
30	35.3	37.0	35.2	35.3	39.7	38.1	38.7	35.1	34.6	28.8	30
32	32.2	33.7	32.0	32.1	36.4	35.0	35.8	32.8	32.4	27.5	32
34		31.0	29.2	29.2	33.6	32.2	33.0	30.2	30.2	26.5	34
36		28.0	26.7	26.6	31.1	29.6	30.4	27.4	27.9	25.3	36
38		26.4	24.5	24.4	28.8	27.3	28.1	25.5	25.8	24.2	38
40			22.5	22.4	26.7	25.0	25.9	23.4	23.8	23.2	40
42			20.6	20.5	24.8	23.0	23.9	21.6	22.1	21.8	42
44				18.8	22.8	21.0	22.0	19.8	20.5	20.2	44
46				17.2	21.2	19.5	20.3	18.1	19.0	18.7	46
48					19.6	18.0	18.8	16.5	17.5	17.4	48
50					18.3	16.6	17.5	15.1	16.0	16.1	50
52					17.0	15.2	16.1	13.8	14.8	15.0	52
54						14.0	14.9	12.7	13.6	13.6	54
56						13.0	13.8	11.5	12.4	12.6	56
58							12.7	10.5	11.4	11.5	58
60							11.8	9.6	10.4	10.6	60
62							10.9	8.6	9.5	9.6	62
64								7.8	8.6	8.8	64
66								7.0	7.8	8.0	66
68									7.1	7.3	68
70									6.3	6.5	70
72									5.3	5.8	72
74										5.2	74
76										4.5	76
78											78
80											80

Operating Range - Jib



Load Chart – Jib

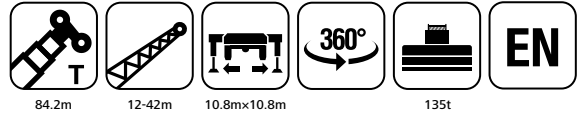
Unit: metric ton



Radius (m)	57.8						63						Radius (m)	
	12m	18m	24m	30m	36m	42m	6m	12m	18m	24m	30m	36m		42m
14														14
16	21.1						20.8							16
18	20	17.3					19.7	16.6	13.2					18
20	18.7	16.4	13.2	9.1			18.4	15.8	13.0	10.9				20
22	17.5	15.6	12.8	8.8	7.5		17.0	15	12.6	10.7	8.1			22
24	16.4	14.6	12.1	8.5	7.2	6.4	16.0	14.2	12.1	10.1	8.0	6.6		24
26	15.4	13.8	11.2	8.1	6.9	6.1	14.9	13.3	11.5	9.3	7.8	6.4	5.4	26
28	14.3	13.0	10.2	7.8	6.7	5.9	13.8	12.5	10.9	8.5	7.5	6.3	5.3	28
30	13.3	12.1	9.2	7.4	6.4	5.6	12.8	11.6	10.3	7.7	7.3	6.0	5.0	30
32	12.5	11.4	8.7	7.1	6.2	5.4	12.0	10.9	9.8	7.2	6.9	5.8	4.8	32
34	11.6	10.7	8.2	6.8	5.8	5.2	11.2	10.2	9.2	6.9	6.6	5.7	4.7	34
36	10.9	10.0	7.7	6.5	5.6	4.9	10.4	9.5	8.6	6.5	6.2	5.5	4.4	36
38	10.1	9.4	7.2	6.2	5.3	4.8	9.6	8.9	8.2	6.1	5.9	5.2	4.3	38
40	9.4	8.8	6.7	5.9	5.1	4.6	8.9	8.3	7.6	5.8	5.7	5.0	4.2	40
42	8.6	8.2	6.3	5.7	4.9	4.3	8.3	7.7	7.1	5.4	5.4	4.7	4.0	42
44	8	7.6	5.9	5.4	4.6	4.1	7.6	7.2	6.6	5.1	5.0	4.4	3.8	44
46	7.3	7.0	5.5	5.1	4.3	4.0	7.0	6.6	6.2	4.7	4.7	4.2	3.7	46
48	6.8	6.5	5.1	4.7	4.1	3.8	6.4	6.1	5.8	4.4	4.4	3.9	3.5	48
50	6.2	6.0	4.8	4.4	3.9	3.6	5.9	5.6	5.4	4.1	4.0	3.6	3.4	50
52	5.8	5.5	4.4	4.1	3.7	3.5	5.3	5.2	4.9	3.8	3.7	3.3	3.1	52
54	5.3	5.0	4.1	3.8	3.5	3.2	4.8	4.7	4.6	3.5	3.5	3.1	2.9	54
56	4.6	4.6	3.8	3.5	3.3	3.1	4.4	4.2	4.2	3.2	3.1	2.9	2.6	56
58	3.7	4.2	3.5	3.2	3.1	3.0	4.0	3.8	3.8	3.0	2.9	2.6	2.4	58
60	3.1	3.2	2.6	3.0	2.6	2.8	3.6	2.9	2.9	2.2	2.6	2.2	2.2	60
62	2.4	2.9	2.4	2.2	2.2	2.1	3.2	2.6	2.6	2.0	2.0	1.7	1.6	62
64	1.7	2.6	2.1	2.0	1.9	1.9	3.0	2.3	2.3	1.8	1.8	1.5		64
66	1.2	2.0	2	1.8	1.7	1.7	2.2	1.7	2.1	1.5	1.5			66
68		1.5	1.7	1.6	1.5	1.5		1.2	1.8					68
70			1.5											70
72														72
74														74

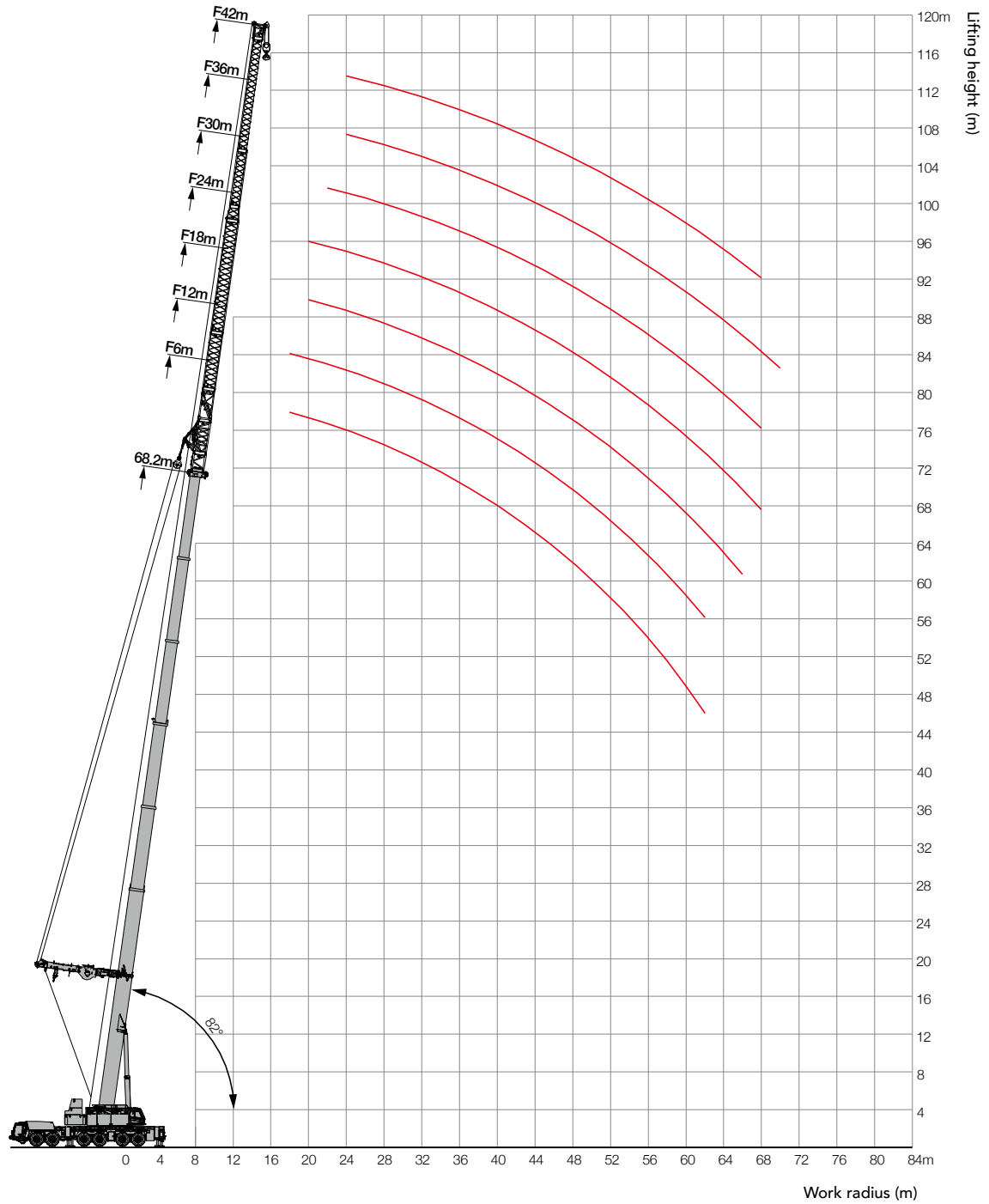
Load Chart – Jib

Unit: metric ton



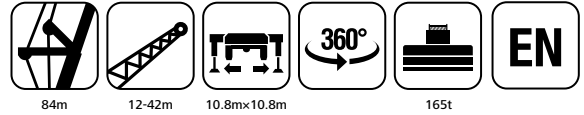
Radius (m)	68.2							73.4							Radius (m)
	6m	12m	18m	24m	30m	36m	42m	6m	12m	18m	24m	30m	36m	42m	
14															14
16															16
18	16.6														18
20	15.7	13.1	10.4					13.1							20
22	14.9	12.6	10.2	8.4				12.4	10.5	8.5	7.0				22
24	14.0	12.0	9.8	8.0	6.1			11.7	10.0	8.2	6.7				24
26	13.2	11.4	9.5	7.5	6.0	4.7		11.0	9.5	7.9	6.3	5.0			26
28	12.4	10.8	9.1	6.8	5.8	4.6	3.6	10.3	9.0	7.6	5.7	4.8	3.8		28
30	11.5	10.2	8.8	6.2	5.6	4.4	3.6	9.6	8.5	7.3	5.2	4.7	3.7	3.0	30
32	10.8	9.6	8.4	6.0	5.4	4.4	3.5	9.0	8.0	7.0	5.0	4.5	3.7	2.9	32
34	10.1	9.0	7.9	5.7	5.1	4.3	3.4	8.4	7.5	6.6	4.8	4.3	3.6	2.8	34
36	9.4	8.5	7.6	5.5	4.9	4.1	3.4	7.8	7.1	6.3	4.6	4.1	3.4	2.8	36
38	8.8	7.9	7.2	5.2	4.7	3.9	3.2	7.3	6.6	6.0	4.3	3.9	3.2	2.7	38
40	8.2	7.4	6.7	4.9	4.6	3.8	3.1	6.8	6.2	5.6	4.1	3.8	3.1	2.6	40
42	7.6	7.0	6.4	4.7	4.4	3.5	3.0	6.3	5.8	5.3	3.9	3.6	2.9	2.5	42
44	7.0	6.5	5.9	4.4	4.1	3.4	2.9	5.8	5.4	4.9	3.7	3.4	2.9	2.4	44
46	6.5	6.0	5.5	4.1	3.9	3.3	2.8	5.4	5.0	4.6	3.4	3.3	2.8	2.3	46
48	6.0	5.5	5.2	3.9	3.7	3.1	2.5	5.0	4.6	4.3	3.2	3.1	2.6	2.1	48
50	5.5	5.2	4.8	3.6	3.3	3	2.4	4.6	4.3	4.0	3.0	2.8	2.5	2.0	50
52	5.0	4.7	4.4	3.3	3.1	2.7	2.3	4.2	3.9	3.7	2.7	2.6	2.3	1.9	52
54	4.6	4.3	4.1	3.1	2.9	2.5	2.2	3.8	3.6	3.4	2.6	2.4	2.1	1.8	54
56	4.1	4.0	3.7	2.8	2.7	2.3	1.9	3.4	3.3	3.1	2.3	2.2	1.9	1.6	56
58	3.7	3.6	3.5	2.6	2.5	2.2	1.8	3.1	3.0	2.9	2.1	2.0	1.8		58
60	3.4	2.7	2.6	2.0	2.1	1.9		2.8	2.7	2.6	2.0	1.8	1.6		60
62	3.1	2.4	2.3	1.7	1.7			2.6	2.4	2.3	1.7				62
64	2.8	2.1	2.1	1.5				2.3	2.1	2.1	1.5				64
66	2.4	1.9	1.8					2.0	1.9	1.8					66
68	2.2	1.7						1.8							68
70	1.9							1.6							70
72															72
74															74

Operating Range - Jib with Superlift



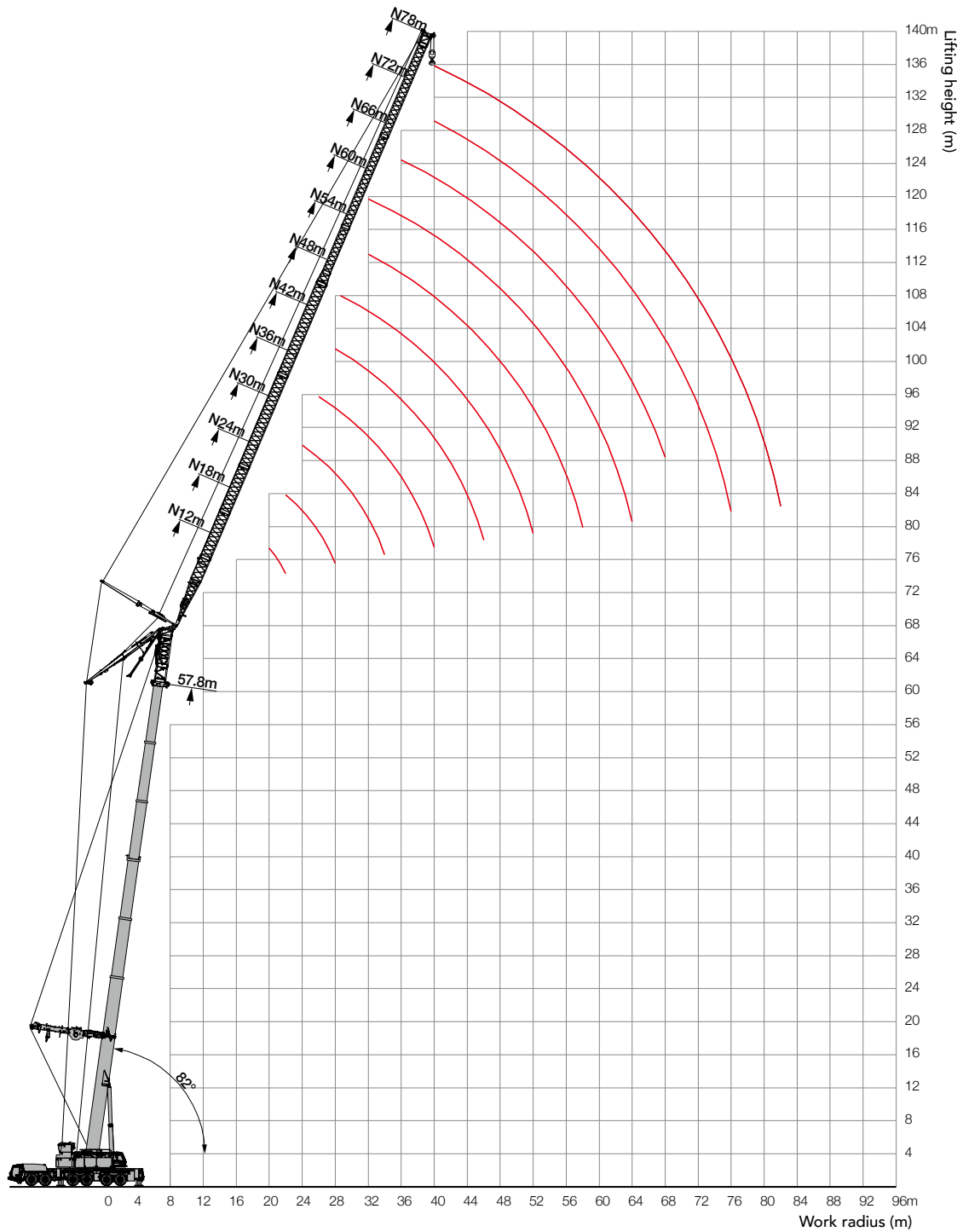
Load Chart – Jib with Superlift

Unit: metric ton



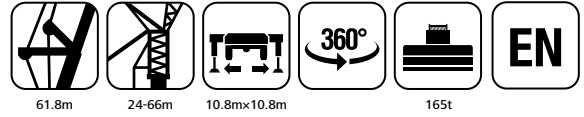
Radius (m)	57.8						63						68.2						Radius (m)				
	12m	18m	24m	30m	36m	42m	6m	12m	18m	24m	30m	36m	42m	6m	12m	18m	24m	30m		36m	42m		
14	41.7																					14	
16	39.5	28.8					41.5																16
18	37.4	27.2	21.1	16.2			40.5	36.6	26.7					36.2	32.7								18
20	35.4	25.7	20.1	15.3	12.7	10.3	39.0	35.2	25.3	19.8	15.1			35.3	32.0	24.9	19.0						20
22	33.7	24.5	19.0	14.6	12.1	9.8	37.4	33.7	24.2	18.8	14.3	11.9		34.2	31.4	24.0	18.2	13.8					22
24	32.2	23.2	18.2	13.8	11.5	9.3	35.9	32.2	23.1	17.9	13.7	11.4	9.0	32.9	30.3	23.0	17.4	13.3	11.0	9.0			24
26	30.8	22.2	17.3	13.2	11.0	8.8	33.5	31.0	22.1	17.2	13.1	10.7	8.5	31.6	29.1	22.1	16.7	12.7	10.5	8.5			26
28	28.8	21.1	16.5	12.6	10.4	8.4	31.2	29.1	21.1	16.4	12.5	10.4	8.2	29.8	27.9	21.2	16.1	12.2	10.0	8.2			28
30	25.4	20.3	15.8	12.1	10.0	7.9	27.4	25.8	20.3	15.8	12.0	9.9	7.8	26.4	26.2	20.4	15.4	11.7	9.6	7.8			30
32	22.6	19.4	15.1	11.6	9.5	7.5	24.1	22.9	19.5	15.1	11.5	9.5	7.5	23.4	23.3	19.6	14.8	11.2	9.3	7.5			32
34	20.1	18.6	14.4	11.1	9.1	7.3	21.2	20.4	18.8	14.6	11.1	9.1	7.2	20.7	20.8	17.6	14.3	10.9	8.9	7.2			34
36	17.9	17.9	13.8	10.6	8.8	6.9	18.7	18.2	17.0	14.0	10.6	8.8	6.9	18.4	18.7	15.9	13.8	10.5	8.5	7.0			36
38	16.0	16.3	13.3	10.1	8.4	6.7	16.4	16.3	15.3	13.5	10.3	8.4	6.5	16.4	16.7	14.3	13.3	10.1	8.3	6.5			38
40	14.3	14.6	12.7	9.8	8.0	6.3	14.5	14.3	13.8	13.0	9.8	8.0	6.3	14.6	14.8	13.0	12.7	9.8	8.0	6.3			40
42	12.7	13.2	12.2	9.3	7.7	6.1	12.7	12.5	12.4	12.4	9.4	7.8	6.1	12.9	12.9	11.7	11.5	9.4	7.7	6.1			42
44	11.3	11.9	11.2	8.9	7.4	5.8	11.2	10.9	11.2	11.3	9.0	7.5	5.8	11.5	11.4	10.6	10.5	9.0	7.4	6.0			44
46	10.1	10.7	10.1	8.5	7.0	5.6	9.7	9.5	10.1	10.3	8.6	7.2	5.6	10.1	9.9	9.6	9.6	8.6	7.2	5.7			46
48	8.9	9.6	9.2	8.2	6.8	5.3	8.3	8.1	9.1	9.3	8.4	6.9	5.3	8.9	8.6	8.7	8.7	8.4	6.9	5.3			48
50	7.9	8.4	8.4	7.7	6.5	5.1	7.1	6.9	8.2	8.5	7.7	6.7	5.2	7.8	7.3	7.9	8.0	7.8	6.7	5.1			50
52	6.9	7.4	7.6	7.0	6.3	4.9	6.0	5.8	7.4	7.7	7.5	6.4	4.9	6.8	6.3	7.1	7.2	7.2	6.4	4.6			52
54	6.0	6.3	6.9	6.4	5.9	4.7	4.2	4.8	6.6	7.0	7.3	6.2	4.7	4.5	5.2	6.4	6.6	6.6	6.2	4.1			54
56	5.2	5.3	6.2	5.9	5.7	4.4	3.5	3.8	5.9	6.3	6.6	5.8	4.6	3.8	4.3	5.7	6.0	6.0	5.9	3.5			56
58	4.0	4.5	5.3	5.3	5.3	4.2	2.8	3.0	5.1	5.7	6.2	5.3	4.3	3.2	3.4	5.1	5.4	5.5	5.4	3.1			58
60	2.8	3.6	4.5	4.9	4.9	4.1	2.1	2.1	3.5	5.0	5.7	4.9	4.2	2.5	2.5	3.5	4.9	5.0	5.0	3.0			60
62		2.9	3.6	4.4	4.5	3.8		1.3	3.1	3.5	4.9	4.5	4.0	1.8	1.9	3.1	3.4	4.6	4.6	2.9			62
64		2.2	3.1	3.2	4.1	3.7			2.3	2.9	4.1	4.1	3.8			2.7	3.0	3.2	4.2	2.3			64
66		1.5	2.5	2.8	3.0	2.8				2.6	3.5	3.0	2.9			2.1	2.5	2.6	2.9	1.8			66
68			1.7	2.2	2.6	2.7				1.8	2.9	2.6	2.5			1.9	1.9	2.5	1.3				68
70				1.6	1.9	2.0					2.3	1.9	2.2					1.9					70
72						1.5						1.7		1.8									72
74						1.1						1.2		1.1									74

Operating Range - Fly jib with superlift



Load Chart – Fly Jib with Superlift

Unit: metric ton



Radius (m)	57.8											63						68.2				Radius (m)		
	18m	24m	30m	36m	42m	48m	54m	60m	66m	72m	78m	18m	24m	30m	36m	42m	48m	18m	24m	30m	36m			
14																							14	
16																								16
18																								18
20	31.8											29.4											20	
22	31.2	27.6										28.2	24					25.2					22	
24	30.6	26.5	23.4									27.6	23.4	20.4				24.0	21.0				24	
26		26.4	22.6	19.2								27.0	23.4	19.8	16.8			23.4	19.8	17.9			26	
28		25.6	22.2	19.0	13.8	12.0							22.8	19.2	16.2	13.7			19.2	16.8	15.0		28	
30		25.2	21.6	19.0	15.6	12.4	9.4						21.6	18.7	16.2	13.6	11.2		18.0	16.4	14.4		30	
32			21.0	18.4	15.6	12.7	9.9	7.2					20.6	18.2	16.2	13.4	11.4		18.0	16.8	14.4		32	
34			20.4	18.4	15.6	13.2	10.2	7.4	4.2	3.0	3.0			18	15.8	13.3	11.4			15.72	13.6		34	
36			20.3	18.0	15.6	13.0	10.4	7.8	4.8	3.4	3.4			17.8	15.6	13.2	11.4			15.0	13.3		36	
38				17.5	15.0	12.7	10.4	7.8	5.4	3.6	3.6			16.8	15.2	13.8	11.4			14.4	13.1		38	
40				17.4	14.8	12.5	10.4	7.8	6.0	4.2	4.2				15.0	12.8	11.2				12.8		40	
42				16.8	14.5	12.2	10.2	7.8	6.0	4.4	4.4				14.8	12.5	11.4				12.5		42	
44					14.3	12.0	10.2	7.8	6.0	4.4	4.4				14.4	12.2	10.9				11.4		44	
46					13.8	11.8	10.1	7.8	6.0	4.4	4.4					12.1	10.7						46	
48					13.2	11.5	9.8	7.8	6.0	4.4	4.4					12.0	10.4						48	
50						11.3	9.7	7.8	6.0	4.4	4.4				10.8	10.2							50	
52						11.4	9.6	7.8	6.0	4.4	4.4					10.0							52	
54						10.8	9.4	7.6	6.0	4.4	4.4					9.7							54	
56							9.1	7.4	6.0	4.4	4.4					9.4							56	
58							8.8	7.3	5.9	4.4	4.4												58	
60							8.4	7.2	5.8	4.4	4.4												60	
62								7.0	5.6	4.4	4.4												62	
64								6.7	5.5	4.4	4.4												64	
66								6.6	5.4	4.4	4.4												66	
68									5.3	4.3	4.3												68	
70									5.0	4.2	4.2												70	
72									4.8	4.1	4.1												72	
74										3.8	3.8												74	
76										3.6	3.6												76	
78										3.2	3.2												78	
80																							80	
82																							82	
84																							84	



Sany Automobile Hoisting Machinery Co., Ltd.

No.168, Jinzhou Avenue, Jinzhou Development Zone, Changsha, Hunan, China

Postcode 410600

Tel +86 731-8787 3131 Fax +86 731-8403 1999-196

Service 400 887 8318 Consulting 400 887 9318

Email qzjyx@sany.com.cn

Reminder:

For safe and reliable operation of the diesel engines, please fill Grade IV machines with Grade IV diesel and urea solution conforming to related national standards. Please refer to the operating instructions and related standards for details.

Any change in the technical parameters and configuration due to advancement in technology may occur without prior notice. The machine in the figures may include auxiliary equipment. This brochure is for reference only, and goods in kind shall prevail.

Copyright at Sany Heavy Industry. No part of this catalogue may be copied, recorded or used for any purpose without written approval from Sany Heavy Industry.

© Printed in January 2020 in China

www.sanyglobal.com

